

HYSTER-YALE MAXIMAL FORKLIFT (ZHEJIANG) CO. LTD

Address

Room 501, West Block YongTong Information Plaza 141 North
HuanCheng Road, Hangzhou, Zhejiang China

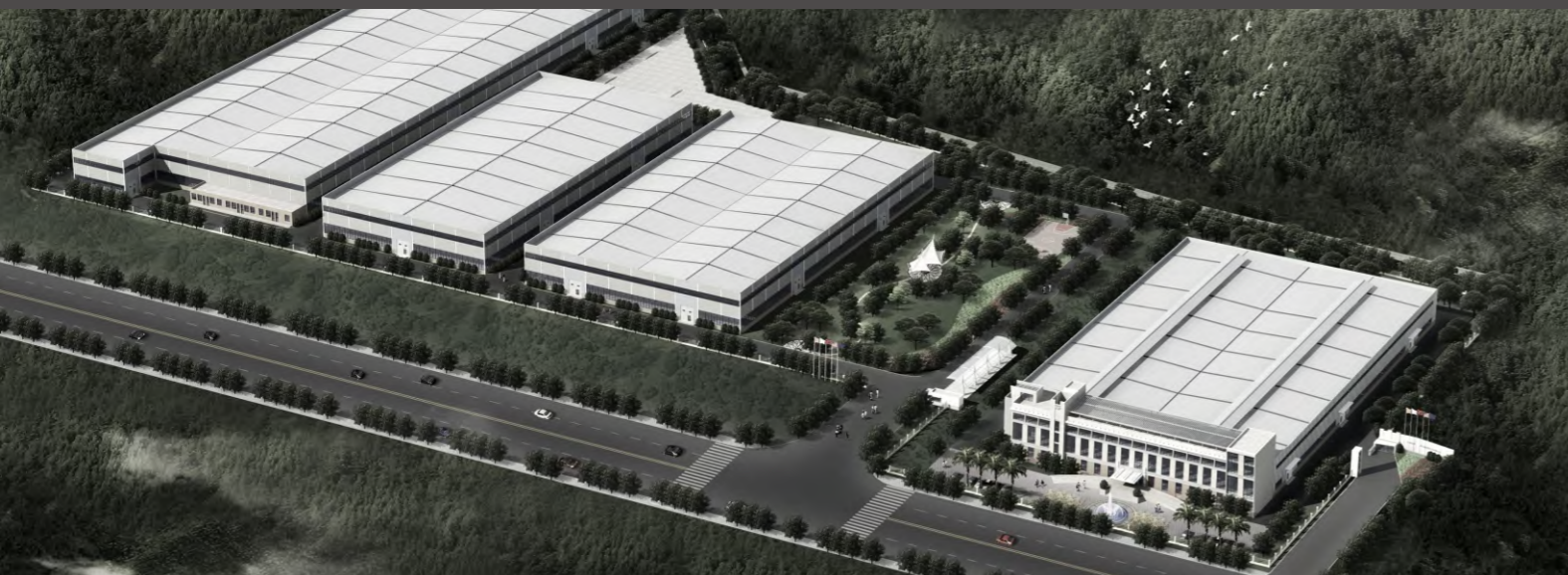
Tel 0086-571-28037691 0086-571-28205156

Website www.maxforklift.com

Email For sales
angela@maxforklift.com

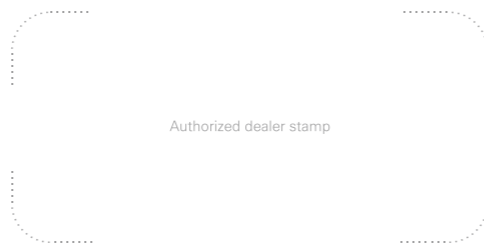
For spare parts
parts02@maxforklift.com

All rights reserved.
Any doubt, please contact us.



**MAXIMAL
FORKLIFT**

All the data on the catalogue is just
for your reference. Maximal reserve
the right for update or amendment
when necessary.

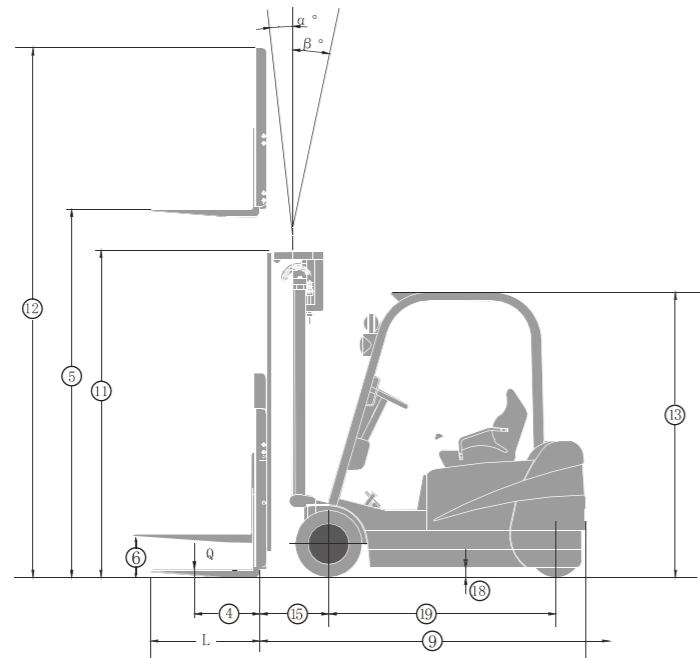


Authorized dealer stamp



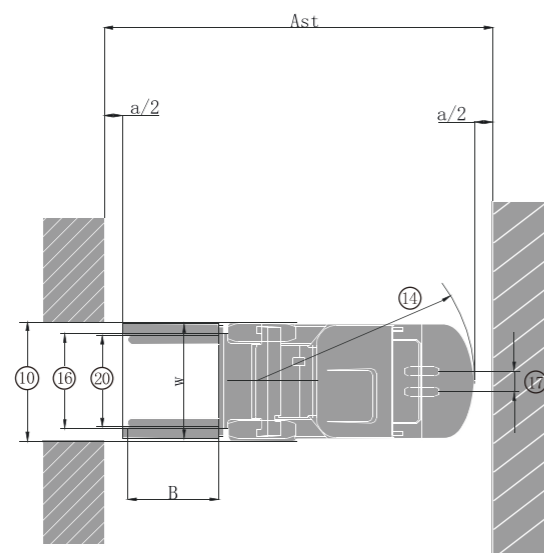
FRONT DRIVE 3-WHEEL ELECTRIC FORKLIFT 1.6 TON





$a=200$ mm safety clearance

$$AST = a + 14 + 15 + \sqrt{W^2 + (B/2)^2}$$



M SERIES 1.6-2.0t 3-wheel electric forklift Lithium battery

Specification	1	Model		FB16S-MJZ	FB18S-MJZ	FB20S-MJZ	
		2	Rated capacity	kg	1600	1800	2000
	3	Load centre	mm	500	500	500	
	4	Lifting height	mm	3000	3000	3000	
	5	Free lifting height	mm	0	0	0	
	6	Fork size	T×W×L	35×100×920	35×100×920	35×100×920	
	7	Tilting angle	F/R (α°/β°)	6.5°/6.5°	6.5°/6.5°	6.5°/6.5°	
Dimensions	8	Overall Dimension	Length (to forkface)	mm	1979	1979	2094
	9		Width	mm	1070	1070	1140
	10		Height when mast lowered	mm	1975	1975	1975
	11		Height when mast extended	mm	4010	4010	4010
	12		Height to safeguard	mm	1971	1971	2011
	13	Turning radius	Min.	mm	1643	1643	1758
	14	Front overhang		mm	371	371	371
	15	Tread	F/R	mm	924/186	924/186	942/186
	16	Ground clearance	Min.	mm	90	90	90
	17	Wheelbase		mm	1400	1400	1515
18	Fork spread	Min./Max.	mm	200/890	200/890	200/890	
19	Working aisle width with pallet(Ast)*	1000×1200 crossways	mm	3340	3340	3445	
20		800×1200 lengthways	mm	3464	3464	3579	
Performance	21	Speed	Travel(Laden)	km/h	13	13	13
	22		Travel(Unladen)	km/h	13	13	13
	23		Lifting(Laden)	mm/s	290	280	255
	24		Lifting(Unladen)	mm/s	445	435	435
	25	Gradeability	Laden	%	15	15	15
	26		Unladen	%	15	15	15
27	Service weight	Include battery box	kg	3080	3140	3430	
28	Tyre	Front×2		18×7-8	18×7-8	200/50-10	
29		Rear×2		15×4 ^{1/2} -8	15×4 ^{1/2} -8	15×4 ^{1/2} -8	
Driven	30	Motor	Driven motor	kw	4×2	4×2	4×2
	31		Pump motor	kw	9.2	11	11
	32	Battery	Lithium battery	V/Ah	48/450	48/450	48/450
	33	Controller	Type		AC	AC	AC
	34		Manufacturer		ZAPI	ZAPI	ZAPI
35	Operating pressure for attachment		Mpa	14.5	14.5	17.5	

M SERIES 1.6-2.0t 3-wheel electric forklift mast

Type	Model	Max. fork height	Overall height				Free lift		Front Overhang	Tilt range		Capacity		
			Lowered	Extended		Without backrest	with backrest	FWD		BWD	load capacity at 500mm			
				Without backrest	With backrest						Single tyre			
											1.6t	1.8t	2.0t	
mm	mm	mm	mm	mm	mm	mm	Deg	Deg	kg	kg	kg			
2-stage mast	BM250	2500	1725	3010	3480	0	0	376	6.5	6.5	1600	1800	2000	
	BM270	2700	1825	3210	3680	0	0	376	6.5	6.5	1600	1800	2000	
	BM300	3000	1975	3490	4010	0	0	376	6.5	6.5	1600	1800	2000	
	BM330	3300	2125	3790	4310	0	0	376	6.5	6.5	1600	1800	2000	
	BM350	3500	2225	3990	4510	0	0	376	6.5	6.5	1600	1800	2000	
	BM370	3700	2325	4190	4710	0	0	376	6.5	6.5	1600	1800	2000	
	BM400	4000	2525	4490	5010	0	0	376	3.5	5	1600	1800	2000	
	BM425	4250	2650	4760	5280	0	0	376	3.5	5	1500	1700	1900	
	BM450	4500	2775	4990	5510	0	0	376	3.5	5	1400	1600	1800	
	BM550	5500	3325	5990	6510	0	0	376	3.5	5	1150	1200	1300	
full free 2-stage mast	BFM250	2500	1725	3010	3465	1200	760	376	6.5	6.5	1600	1800	2000	
	BFM270	2700	1825	3210	3665	1300	860	376	6.5	6.5	1600	1800	2000	
	BFM300	3000	1975	3490	4010	1450	1010	376	6.5	6.5	1600	1800	2000	
	BFM330	3300	2125	3790	4310	1600	1160	376	6.5	6.5	1600	1800	2000	
	BFM350	3500	2225	3990	4510	1700	1260	376	6.5	6.5	1600	1800	2000	
	BFM370	3700	2325	4190	4710	1800	1360	376	6.5	6.5	1600	1800	2000	
	BFM400	4000	2525	4490	5010	2000	1560	376	3.5	5	1600	1800	2000	
Full free 3-stage mast	BTFM435	4350	1975	4860	5360	1425	995	376	3.5	5	1500	1700	1900	
	BTFM450	4500	2025	4990	5510	1475	1045	376	3.5	5	1400	1600	1800	
	BTFM480	4800	2125	5290	5810	1575	1145	376	3.5	5	1300	1500	1650	
	BTFM500	5000	2225	5490	6010	1675	1245	376	3.5	5	1250	1450	1500	
	BTFM550	5500	2390	5990	6510	1840	1410	376	3.5	5	1150	1200	1300	
	BTFM600	6000	2575	6490	7010	2025	1595	376	3.5	5	1050	1100	1200	
	BTFM650	6500	2790	6990	7510	2205	1775	376	3.5	5	900	950	1000	

