

# LIGHT DUTY PEDESTRIAN STACKER

## PS12/PS15

1,200-1,500KG

[www.maxforklift.com](http://www.maxforklift.com)



**STANDARD  
VERSION**

**STRADDLE  
VERSION**



# maximal



### Agile and Efficient, the new choice for Stacking :

The compact pedestrian stacker series is available in PS12-A2SL, PS15-A2SL, and PS15-A2SLK models, all with a 60Ah lithium battery as standard. They are designed with simplicity, safety, stability, and efficiency as their core features, specifically tailored for light duty material handling, order picking, and stacking operations. The compact body design allows these models to flexibly shuttle through narrow aisle and easily enter and exit elevators for precise control. Whether in the narrow aisle of a warehouse or in work environments that require frequent turning, they offer superior flexibility and handling to meet your needs for efficient loading and unloading operations.

**Multifunctional intelligent tiller**



**Built-in charger**



**24V/60Ah Lithium battery**



**Stable & durable masts**

- Standard C+H channel steel
- Double-chain design



**High-strength forks with a thickness of 40mm high strength steel**



Straddle leg(mm)			
Inside dimension	970	1110	1250
Outside dimension	1170	1310	1450

**Adjustable solid steel straddle legs**

**Simplicity**

- The low-mounted long tiller is easy to steer
- Compact body allows easy and precise control in narrow spaces
- Longer operating time standard 24V/60Ah lithium battery, with an option of 24V/100Ah.
- Easy-charging: the built-in charger can be charged at any time
- Turtle speed mode
- Up-right drive for moving vehicle in narrow aisle

**Safety**

- Low ground clearance
- The tiller maintains an effective safety distance from operator
- Full coverage protection on mast
- Forks lowering buffering system
- Explosion-proof valves
- Battery low voltage protection
- Vehicle is powered off automatically during charging
- Travel speed limit when the mast is lifted more than 500mm

**Stability**

- Strictly passed stability test
- Speed limit (when forks are raised to the height of 500mm and above)
- Low centre of gravity

**Efficiency**

- Proportional control lifting & lowering
- Centralized tiller for one-hand operation
- Small turning radius

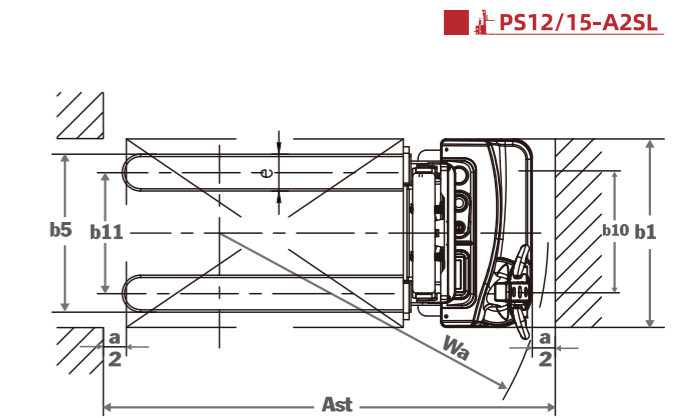
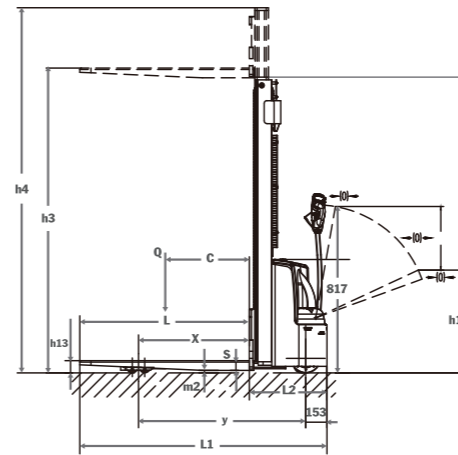
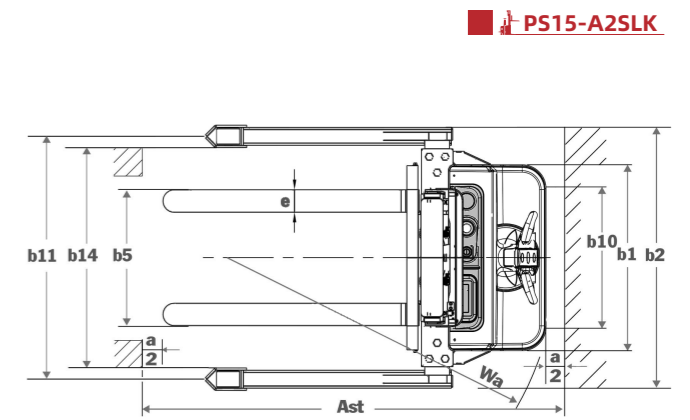
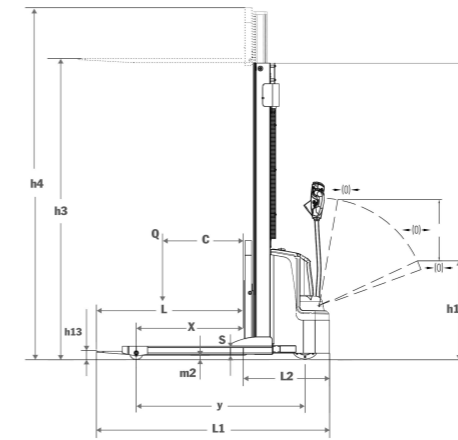
**Serviceability**

- Simple electrical system
- Low after-sales service cost
- Quick & easy fault diagnosis
- Brake release for easy maintenance

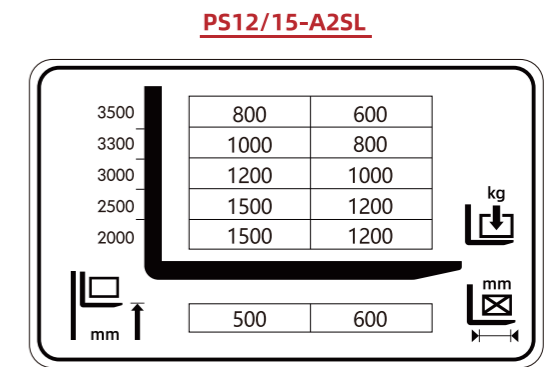
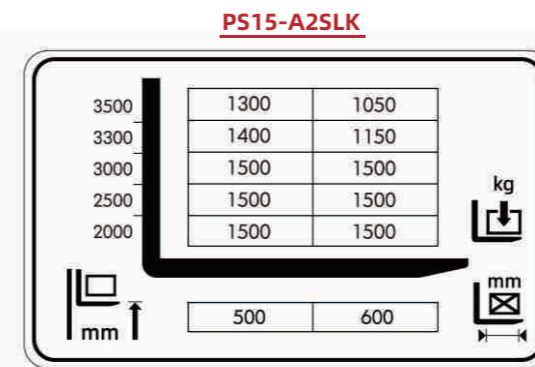
**PS12/PS15**

Distinguishing mark	1.1	Manufacturer	HYM	HYM	HYM	
	1.2	Model	PS15-A2SLK	PS12-A2SL	PS15-A2SL	
	1.3	Drive	Electric	Electric	Electric	
	1.4	Operator type	Pedestrians	Pedestrians	Pedestrians	
	1.5	Rated capacity	Q (kg)	1500	1200	1500
Weight	1.6	Load centre	c (mm)	600	600	500
	1.8	Load distance, centre of drive axle to fork	x (mm)	768	800	800
	1.9	Wheelbase	y (mm)	1218	1210	1210
Tyres / chassis	2.1	Service weight (with 60Ah Li-battery)	kg	619	553	554
	2.2	Axle loading, laden front / rear	kg	636/1483	525/1227	616/1438
	2.3	Axle loading, unladen front / rear	kg	464/155	415/138	416/138
Dimensions	3.1	Tyres: PU=polyurethane	PU	PU	PU	
	3.2	Tyre size, front	mm	φ 210x70	φ 210x70	φ 210x70
	3.3	Tyre size, rear	mm	φ 100x64	φ 80x70	φ 80x70
	3.5	Wheels, number front / rear ( x = driven wheels)		1x +0 /2	1x + 1 / 4	1x + 1 / 4
	3.6	Tread, front	b10 (mm)	-	550	550
	3.7	Tread, rear	b11 (mm)	1060/1200/1340	390	390
	4.2	Height, mast lowered	h1 (mm)	1770	1730	1730
4.4	Lift height	h3 (mm)	2500	2500	2500	
4.5	Height, mast extended	h4 (mm)	3020	2935	2935	
4.9	Height of tiller in operation position, min./max.	h14 (mm)	910/1290	910/1270	910/1270	
4.15	Fork height, lowered(+/- 2mm)	h13 (mm)	60	85	85	
4.19	Overall length	l1 (mm)	1698	1730	1730	
4.20	Length to face of forks	l2 (mm)	628	580	580	
4.21.1	Overall width across chassis	b1 (mm)	820	820	820	
4.21.2	Overall width across outer width straddle	b2 (mm)	1150/1290/1430	N/A	N/A	
4.21.5	Inner width straddle	b14 (mm)	970/1110/1250	N/A	N/A	
4.22	Fork dimensions	s/e/l (mm)	40X100X1070	70X160X1150	70X160X1150	
4.25	Fork spread	b5 (mm)	200-795	560	560	
4.32	Ground clearance, centre of wheelbase	m2 (mm)	40	30	30	
4.34.1	Aisle width for pallets 1000 x 1200 crossways	Ast (mm)	2290	2268	2268	
4.34.2	Aisle width for pallets 800 x 1200 lengthways	Ast (mm)	2217	2194	2194	
4.35	Turning radius	Wa (mm)	1455	1425	1425	
Performance data	5.1	Travel speed, laden / unladen	km/s	4/4.5	4/4.5	4/4.5
	5.2	Lift speed, laden / unladen	mm/s	0-101/0-185	0-123/0-230	0-102/0-190
	5.3	Lowering speed, laden/unladen	mm/s	21.7-208/25.6-137	27-164/28-278	30-135/20-200
5.8	Max. gradeability, laden / unladen	%	5/10	5/10	5/10	
5.10	Service brake		Electromagnetic	Electromagnetic	Electromagnetic	
Drive	6.1	Drive motor rating S2 60 min	kW	0.75	0.75	0.75
	6.2	Lift motor rating at S3 15%	kW	2.5	2.5	2.5
	6.4	Battery voltage/nominal capacity	V/Ah	24V/60Ah	24V/60Ah	24V/60Ah
6.5	Battery weight (+/- 5%)	kg	14	14	14	
6.6	Energy consumption	kWh	0.42	0.4	0.42	
Others	8.1	Type of drive control	DC	DC	DC	
	8.4	Sound level at the driver's ear	dB(A)	<75	<75	<75

**TRUCK DIMENSION DIAGRAM**



**LOAD CHART**



Model	Duplex mast			OPT	STD	OPT	OPT	OPT
	Lifting height	h3	mm	2000	2500	3000	3300	3500
PS12/15-A2SL	Max lifting height of fork surface from ground	h3+h13	mm	2085	2585	3085	3385	3585
	Height of mast, lowered	h1	mm	1480	1730	1980	2130	2230
	Height of mast, extended	h4	mm	2435	2935	3435	3735	3935
PS15-A2SLK	Lifting height	h3	mm	2000	2500	3000	3300	3500
	Height of mast, lowered	h1	mm	1520	1770	2020	2170	2270
	Height of mast, extended	h4	mm	2520	3020	3520	3820	4020

**PS15-A2SLK**

**STANDARD SPECIFICATION**

- 24V system with brush motor
- Key switch
- Mechanical steering
- Electromagnetic brake
- Proportional speed on lifting/lowering
- Right side proportional control knob
- Polyurethane drive wheel
- Tandem polyurethane load wheels
- Fork dimensions: 560\*1150mm
- Metal wire mesh mast protection
- 24V/60Ah lithium battery
- Built-in charger
- Maximal parchment white for lithium battery

**OPTIONAL SPECIFICATION**

- CE/UKCA certification
- Password entry / swipe entry / fingerprint entry
- Two side proportional control knob
- Fork dimensions: 680\*1150mm
- PC board mast protection
- Remote control key
- 24/100Ah lithium battery
- 24V/71Ah maintenance free lead-acid battery
- 24V/89Ah maintenance free lead-acid battery
- Maximal red for lead acid battery

**PS12/15-A2SL**

**STANDARD SPECIFICATION**

- 24V system with brush motor
- Key switch
- Mechanical steering
- Electromagnetic brake
- Proportional speed on lifting/lowering
- Right side proportional control knob
- Polyurethane drive wheel
- Tandem polyurethane load wheels
- Fork length: 1070mm
- Fork spread: 200-795mm
- Fork carriage: ISO 2A 800
- Metal wire mesh mast protection
- 24V/60Ah lithium battery
- Built-in charger
- Maximal parchment white for lithium battery

**OPTIONAL SPECIFICATION**

- CE/UKCA certification
- Password entry / swipe entry / fingerprint entry
- Two side proportional control knob
- Fork dimensions: 680\*1150mm
- PC board mast protection
- Remote control key
- 24/100Ah lithium battery
- 24V/71Ah maintenance free lead-acid battery
- 24V/89Ah maintenance free lead-acid battery
- Fork length: 1150mm/1220mm
- Maximal red for lead acid battery



**No.1 Jinxin Road, Fuyang, Hangzhou, China**

**Sales Hotline** 86-571-28037691

**E-mail** info@maxforklift.com

Specifications published in this catalogue are subject to changes without notice. Standard equipment may differ from this list, please contact your local dealer for information.



Scan to know more